

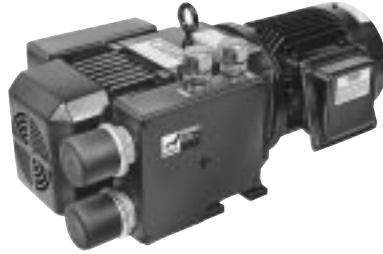


# Motor Mounted Rotary Vane 10.0, 13.5 and 14.0 cfm

## Oiless 70 Series



Single Function Version  
(Vacuum)



Dual Function Version

Units pictured without gauges.

### MODEL 1070 SERIES

25.0" HG MAX. VAC., 15 PSI MAX. PRESSURE,  
14.0 CFM OPEN FLOW

### MODEL 1070 DUAL FUNCTION

Ideal for graphic arts applications where simultaneous vacuum and pressure are needed.

5 PSI MAX. PRESSURE (@ 15.0" HG)  
10.0 CFM OPEN FLOW (PRESSURE SIDE)

### MODEL 2070 SERIES

25.0" HG MAX. VAC., 15 PSI MAX. PRESSURE,  
20.0 CFM OPEN FLOW

### MODEL 2070 DUAL FUNCTION

Ideal for graphic arts applications where simultaneous vacuum and pressure are needed.

5 PSI MAX. PRESSURE (@ 15.0" HG)  
13.5 CFM OPEN FLOW (PRESSURE SIDE)

### PRODUCT FEATURES

- Oilless operation
- Rugged construction/low maintenance
- Low noise

### INCLUDES

- Internal sound suppression
- Heavy duty internal filtration
- Vacuum gauge (AA640) – Vacuum Pump, Dual Function
- Pressure gauge (AA644B) – Compressor, Dual Function
- Vacuum adjustable relief valve (AN226), metric version (AN226A) – Vacuum Pump, Dual Function
- Pressure adjustable relief valve (AN225), metric version (AN225A) – Compressor, Dual Function

### RECOMMENDED ACCESSORIES

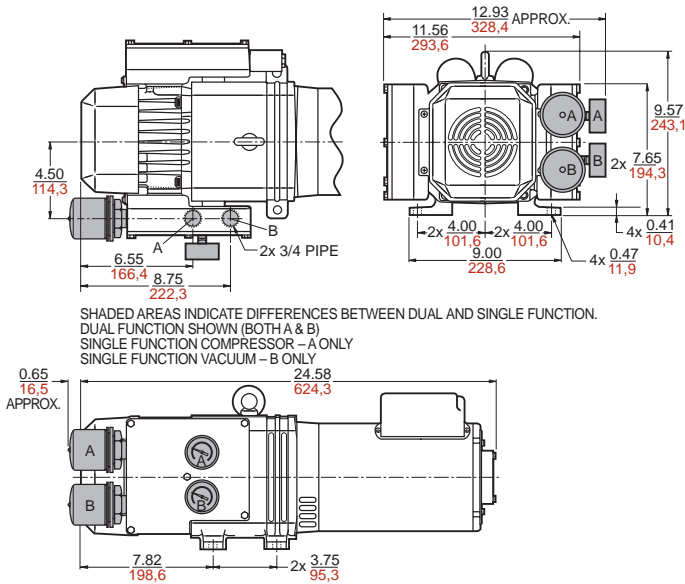
- Gauges and relief valves for separate drive models. See above part numbers.
- Complete repair kit K560 – Vacuum Models
- Filter/muffler kit K561 – Vacuum Models
- Complete repair kit K562 – Pressure Models
- Filter/muffler kit K563 – Pressure Models
- Complete repair kit K564 – Dual Function Models
- Filter/muffler kit K565 – Dual Function Models

### Product Dimensions (mm, inches)

Dimensions are for reference only.

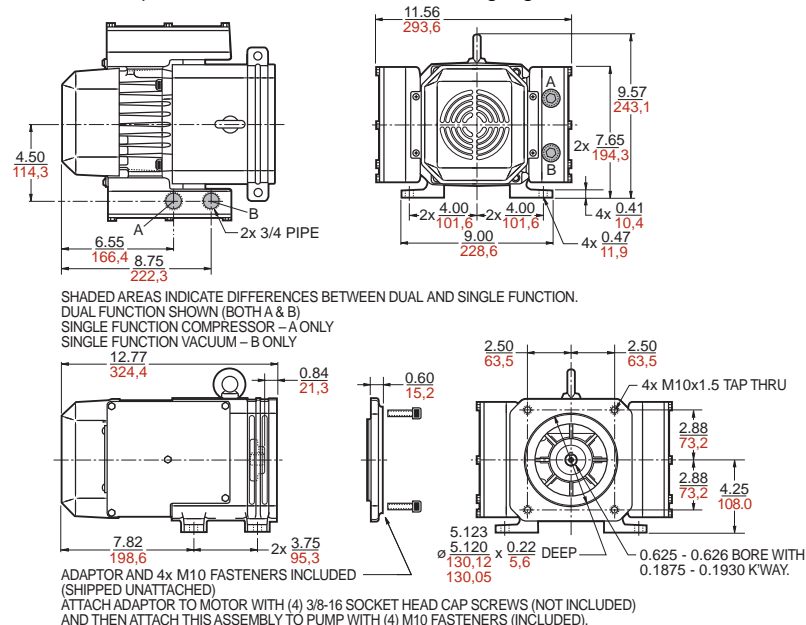
#### Dual Function\*

\*Vacuum pumps and compressors are dimensionally the same. Vacuum pump will have a single relief valve/gauge installed in the bottom half of the muffler box, compressor will have them installed in the upper half of the muffler box.



#### Separate Drive – Dual Function\*\*

\*\*Vacuum pump and compressor separate drive models are dimensionally the same. Note that separate drive models do not include gauges or relief valves.



## Product Specifications

Note: "P" models are pressure, "V" models are vacuum, "D" models are dual function.

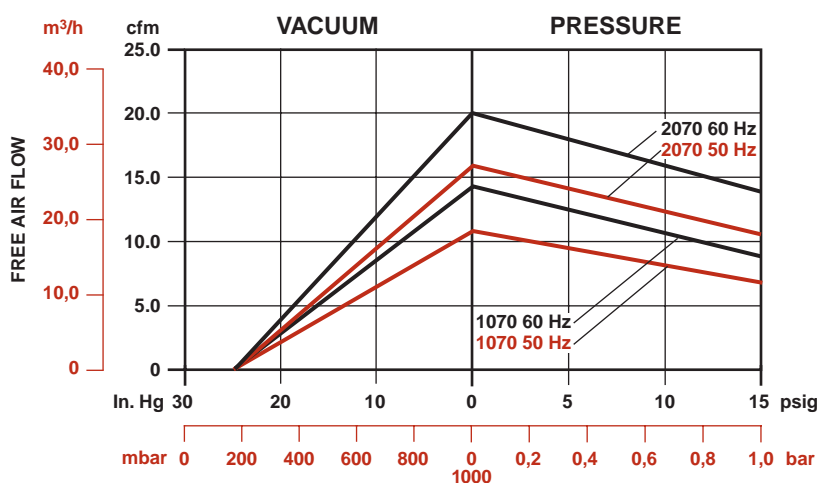
| Model Number      | Motor  | RPM      |          | HP | kW   | Net Wt. |      |
|-------------------|--|----------|----------|----|------|---------|------|
|                   |  | 60 cycle | 50 cycle |    |      | lbs.    | kg   |
| 1070-P118         | Not included                                 | 1725     | 1425     | 1  | 0,75 | 70      | 31,5 |
| 1070-P127-G624X*  | 100-110/200-240;<br>100-115/200-230; 50/60-1 | 1725     | 1425     | 1  | 0,75 | 100     | 45,0 |
| 1070-V128-G624X   | 100-110/200-240;<br>100-115/200-230; 50/60-1 | 1725     | 1425     | 1  | 0,75 | 100     | 45,0 |
| 1070-V108-FC330** | 220/240-380/415-50-3                         | —        | 1425     | 1  | 0,75 | 84      | 37,8 |
| 1070-D129-G624X   | 100-110/200-240;<br>100-115/200-230; 50/60-1 | 1725     | 1425     | 1  | 0,75 | 100     | 45,0 |
| 1070-D109-FC430** | 220/240-380/415-50-3                         | —        | 1425     | 1½ | 1,12 | 90      | 40,5 |
| 2070-P118         | Not included                                 | 1725     | 1425     | 1½ | 1,12 | 70      | 31,5 |
| 2070-P127-T903X   | 100-110/200-240;<br>100-115/200-230; 50/60-1 | 1725     | 1425     | 1½ | 1,12 | 100     | 45,0 |
| 2070-V119         | Not included                                 | 1725     | 1425     | 1½ | 1,12 | 70      | 31,5 |
| 2070-V128-T903X   | 100-110/200-240;<br>100-115/200-230; 50/60-1 | 1725     | 1425     | 1½ | 1,12 | 100     | 45,0 |
| 2070-V108-FC430** | 220/240-380/415-50-3                         | —        | 1425     | 1½ | 1,12 | 90      | 40,5 |
| 2070-D120         | Not included                                 | 1725     | 1425     | 1½ | 1,12 | 70      | 31,5 |
| 2070-D109-FC430** | 220/240-380/415-50-3                         | —        | 1425     | 1½ | 1,12 | 90      | 40,5 |

\*10 psi max. performance.

\*\* Available only in Europe.

## Product Performance (Metric, U.S.)

### Single Function Models



### Dual Function Models

