



R2 SERIES

MODELS R2103, R2105, R2303A, R2305B

MAX. PRESSURE – 39"H₂O (60 Hz), 30"H₂O (50 Hz)

MAX. VACUUM – 35"H₂O (60 Hz), 25"H₂O (50 Hz)

MAX. AIR FLOW – 42 CFM (60 Hz), 33 CFM (50 Hz)

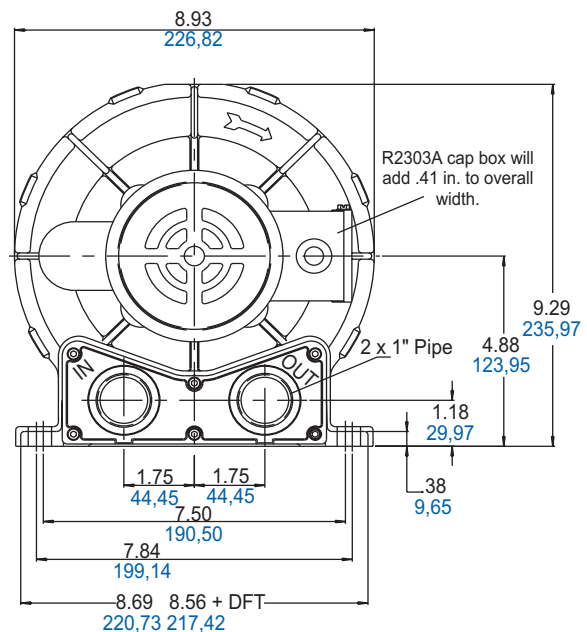
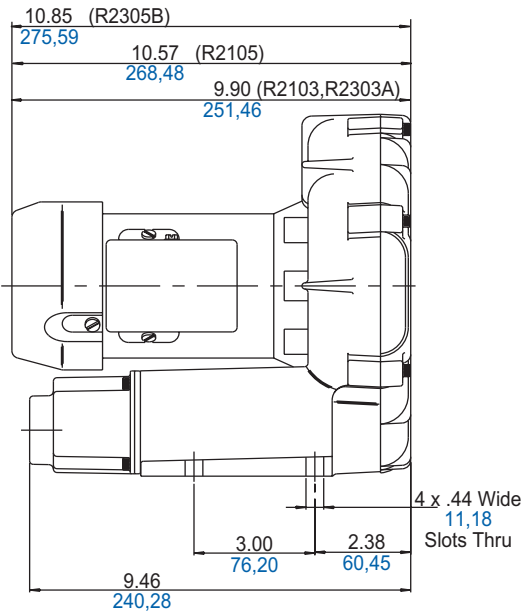
PRODUCT FEATURES

- Rugged construction, low maintenance
- Oilless operation
- UL and CSA approved TEFC motors with permanently sealed ball bearings
- Automatic restart thermal protection on single phase motors
- Aluminum blower housing, impeller and cover
- Can be operated with no air flow through unit
- Can be mounted in any plane
- Inlet and outlet have internal muffling

RECOMMENDED ACCESSORIES

- Pressure gauge AJ496
- Inlet filter AJ126B (pressure)
- Vacuum gauge AJ497
- Inline filter AJ151B (vacuum)
- Muffler AJ121B
- Foam replacement kit K900

Product Dimensions (in. mm)





Product Specifications

MODEL NUMBER		R2103	R2105	R2303A	R2305B
Motor Enclosure		TEFC	TEFC	TEFC	TEFC
HP/kW	60 Hz	.33/0,25	.50/0,37	.33/0,25	.50/0,37
	50 Hz	.20/0,15	.33/0,25	.20/0,15	-
Voltage	60 Hz	115/208-230-1	115/208-230-1	208-230/460-3	575-3
	50 Hz	110/220-1	110/220-240-1	190-220/380-415-3	-
Amps	60 Hz	3.8/2.0-1.9	5.6/3.0-2.8	1.2-1.2/6	.7
	50 Hz	3.8/1.9	5.2/2.6-3.1	1.0-1.2/5-.53	-
Starting Amps	60 Hz	9.3 @ 230V	23.2 @ 115V	8.0 @ 230V	4.2
	50 Hz	17.6 @ 220V	23 @ 220V	8.1 @ 220V	-
Insulation Class		B	B	B	B
Recommended NEMA Starter Size		00/00	00/00	00/00	00/00
Net Weight (lbs/kg)		21/9,5	23/10,4	23/10,4	23/10,4

Product Performance

