



High Pressure Models



R4H SERIES MODELS R4H3060A

MAX. PRESSURE – 284" H₂O (60 Hz), 284" H₂O (50 Hz)
MAX. VACUUM – 183" H₂O (60 Hz), 183" H₂O (50 Hz)
MAX. AIR FLOW – 128 CFM (60 Hz), 107 CFM (50 Hz)

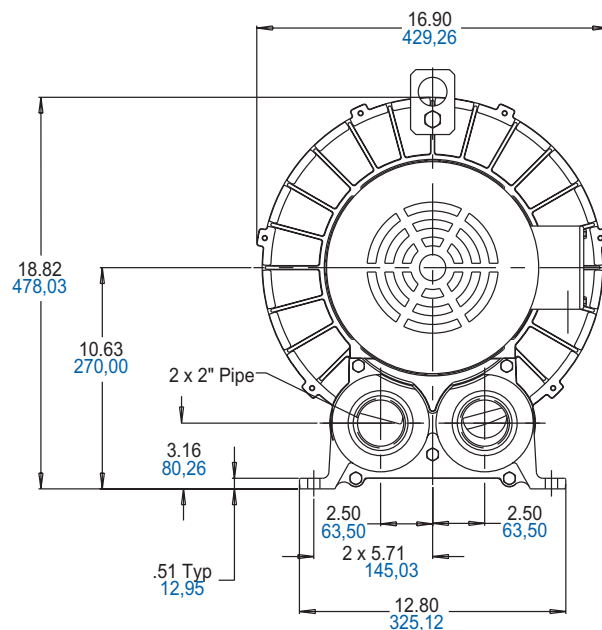
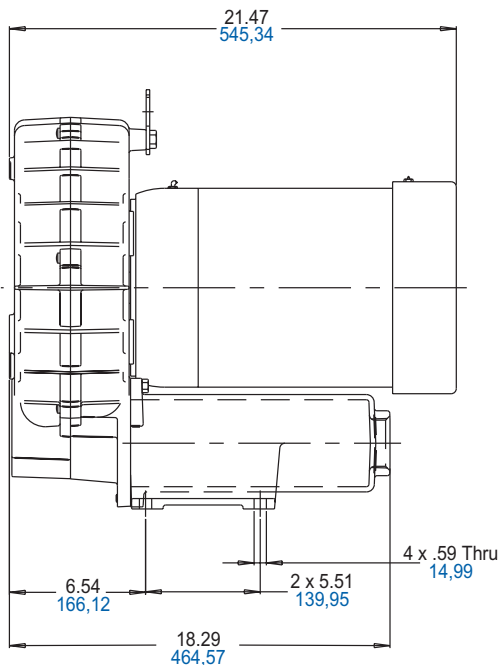
PRODUCT FEATURES

- Rugged construction, low maintenance
- Oilless operation
- UL and CSA approved TEFC motor with permanently sealed ball bearings
- IP54 rated enclosure on motors
- Cast aluminum dual impeller, blower housing and cover
- Can be mounted in any plane
- Inlet and outlet have internal muffling

RECOMMENDED ACCESSORIES

- Pressure gauge AE133F
- Inlet filter AJ126D (pressure)
- Pressure relief valve PV102 (60Hz), PV098 (50Hz)
- Vacuum gauge AE134F
- Vacuum gauge for monitoring inlet filter restriction AJ497
- Vacuum relief valve AG258
- Silencer for vacuum relief valve AJ121D
- Inline filter AJ151E (vacuum)
- External muffler for additional silencing AJ121F
- Foam replacement kit K905

Product Dimensions (in. mm)

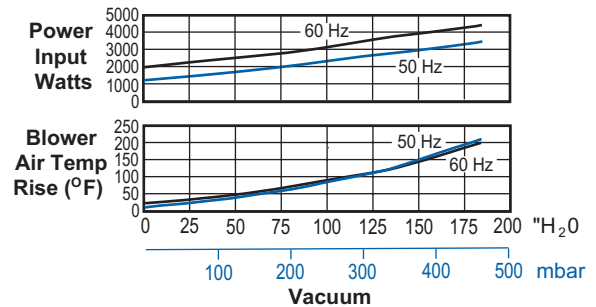
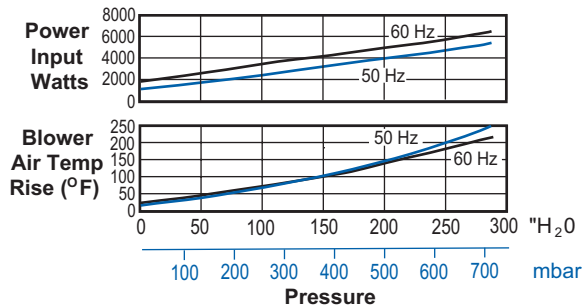
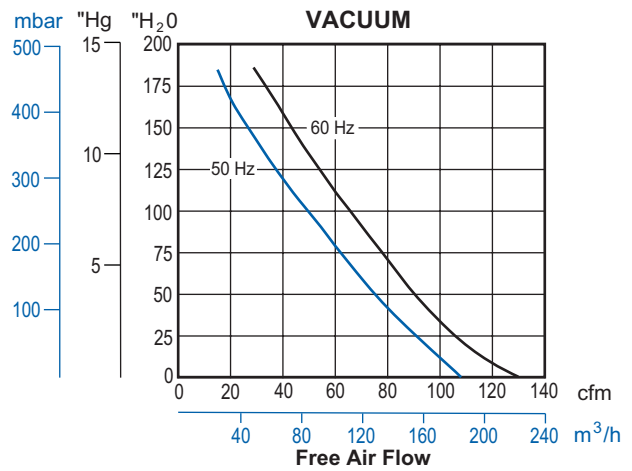
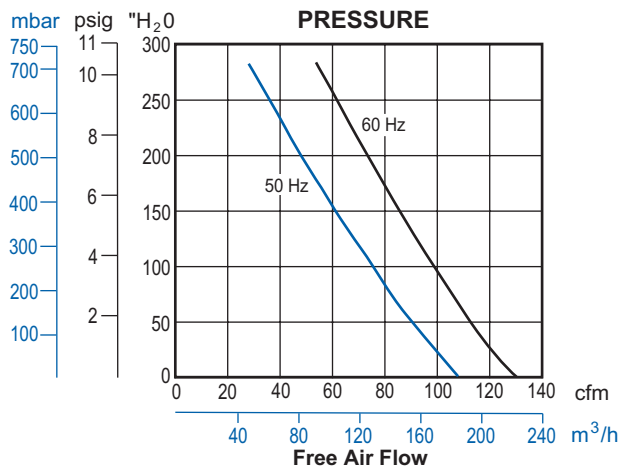




Product Specifications

MODEL NUMBER		R4H3060A	R4H3060B
Motor Enclosure		TEFC	TEFC
HP/kW	60 Hz	6/4.4	6/4.4
	50 Hz	5/3.7	-
Voltage	60 Hz	208-230/460-3	575-3
	50 Hz	190-220/380-440-3	-
Amps	60 Hz	19.5-18.2/9.1	7.3
	50 Hz	16.8-16.0/8.4-8.0	-
Starting Amps	60 Hz	83 @ 460V	67 @ 575V
	50 Hz	72 @ 380V	-
Insulation Class		F	F
Recommended NEMA Starter Size		1/0	0
Net Weight (lbs/kg)		200/91	200/91

Product Performance





High Pressure Models



R4H SERIES

MODEL R4H3060A-1 (VACUUM ONLY)

MAX. VACUUM – 204" H₂O (60 Hz), 176" H₂O (50 Hz)

MAX. AIR FLOW – 121 CFM (60 Hz), 101 CFM (50 Hz)

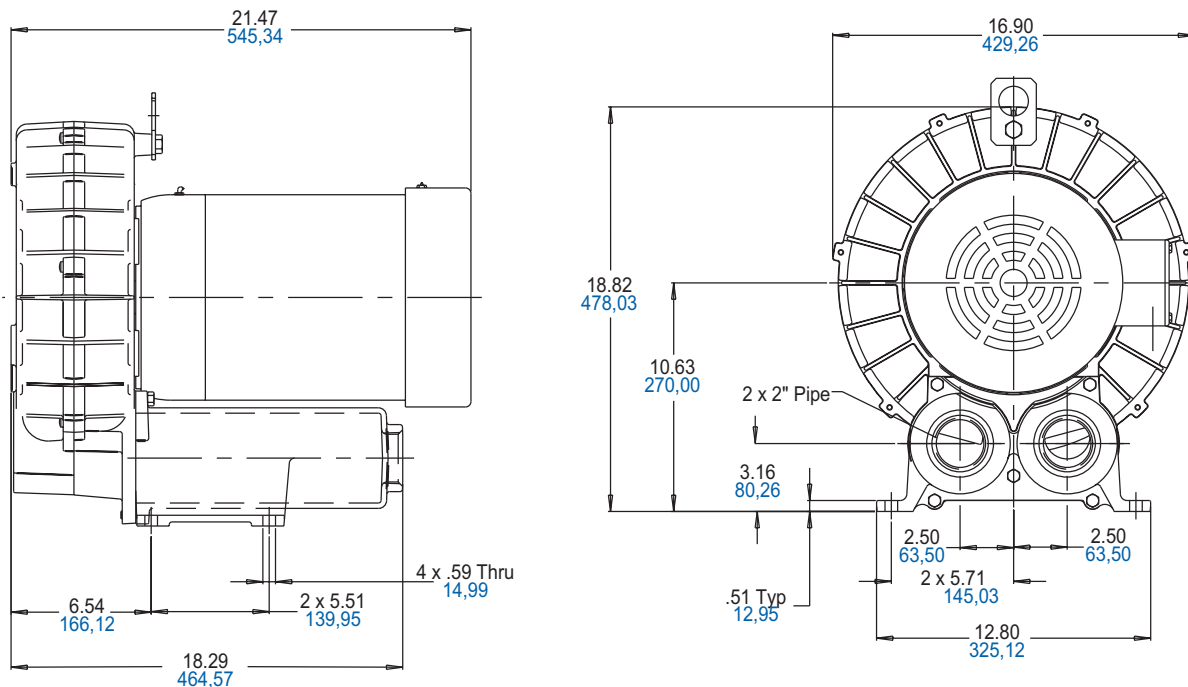
PRODUCT FEATURES

- Rugged construction, low maintenance
- Oilless operation
- UL and CSA approved TEFC motor with permanently sealed ball bearings
- IP54 rated enclosure on motors
- Cast aluminum dual impeller, blower housing and cover
- Can be mounted in any plane
- Inlet and outlet have internal muffling

RECOMMENDED ACCESSORIES

- Vacuum gauge AE134F
- Vacuum relief valve AG258
- Silencer for vacuum relief valve AJ121D
- Inline filter AJ151E (vacuum)
- External muffler for additional silencing AJ121F

Product Dimensions (in. mm)





Product Specifications

MODEL NUMBER		R4H3060A-1
Motor Enclosure		TEFC
HP/kW	60 Hz	6/4,5
	50 Hz	5/3,7
Voltage	60 Hz	208-230/460-3
	50 Hz	190-220/380-440-3
Amps	60 Hz	19.5-18.2/9.1
	50 Hz	16.8-16.0/8.4-8.0
Starting Amps	60 Hz	83 @ 460V
	50 Hz	72 @ 380V
Insulation Class		F
Recommended NEMA Starter Size		1/0
Net Weight (lbs/kg)		200/91

Product Performance

