

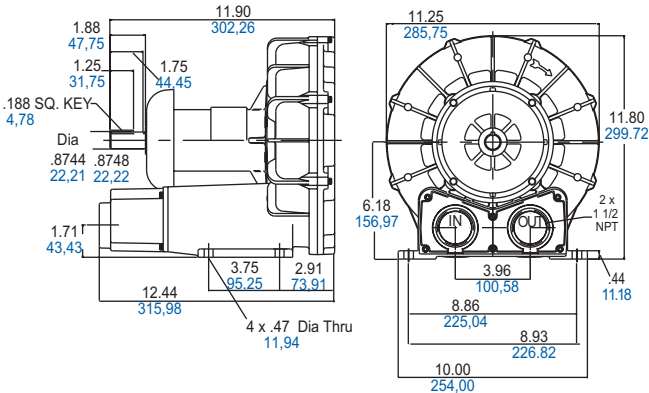
SD SERIES - SEPARATE DRIVE MODELS
MODELS SDR4, SDR5, SDR6, SDR6P

PRESSURE, VACUUM AND AIR FLOW VARIES FOR THESE MODELS, DEPENDING ON THE RPM. REFERENCE THE INDIVIDUAL MODEL'S PERFORMANCE GRIDS FOR SPECIFIC DATA. THE PERFORMANCE CHARTS BELOW REFLECT MAXIMUM DUTY FOR EACH MODEL.

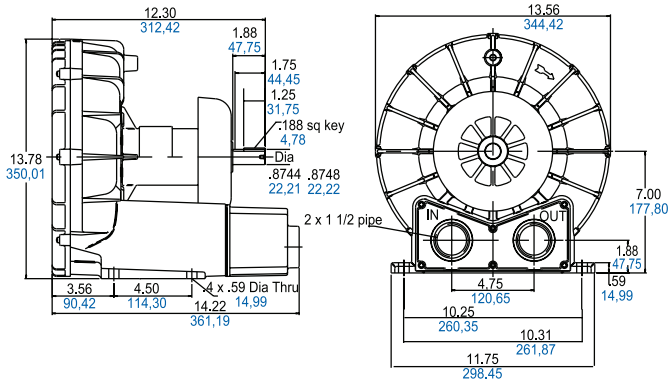
MODELS	Maximum Pressure ("H ₂ O)	Maximum Vacuum ("H ₂ O)	Maximum Air Flow (CFM)
SDR4	110	90	147
SDR5	152	120	240
SDR6	155	135	300
SDR6P	150	125	360

Product Dimensions (in. mm)

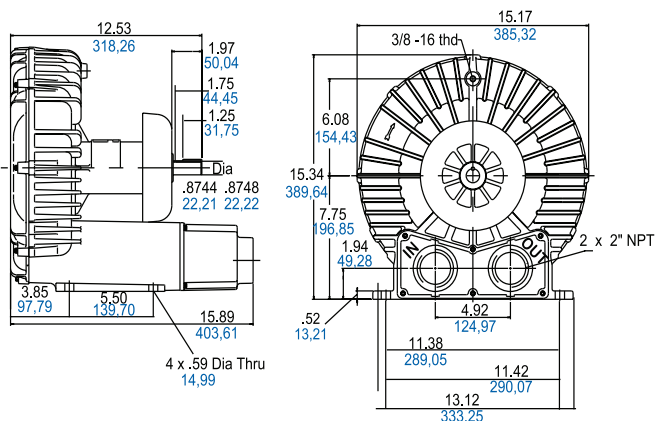
Model SDR4



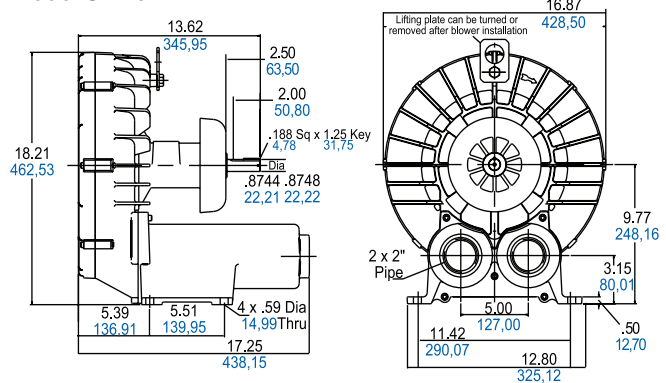
Model SDR5



Model SDR6



Model SDR6P



PRODUCT FEATURES

- Oilless operation
- Rugged construction, low maintenance
- Drive pulley size can be changed to lower the speed and change blower performance
- Aluminum cover, impeller and housing on models SDR4, SDR5, SDR6
- Aluminum impeller, cast iron and housing on model SDR6P

RECOMMENDED ACCESSORIES

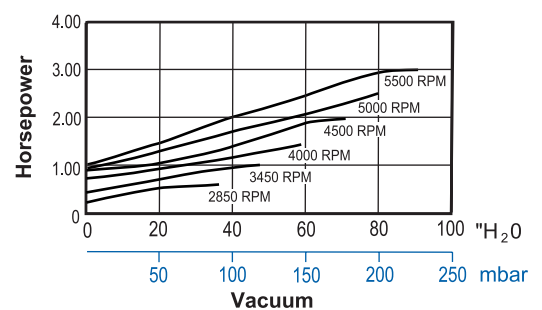
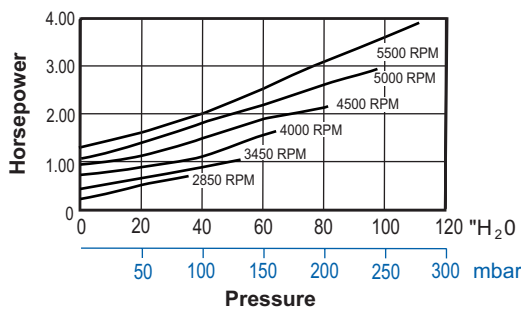
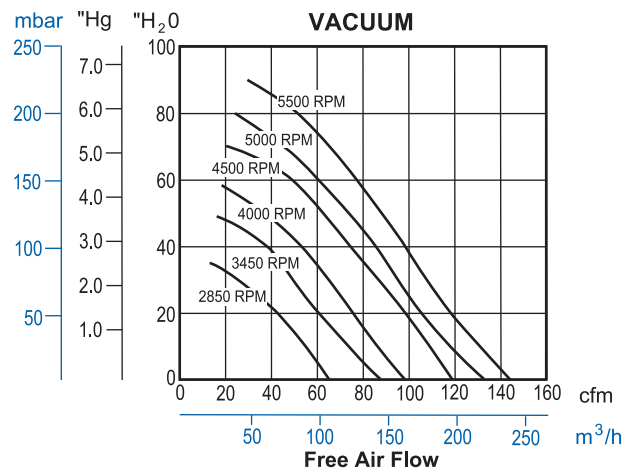
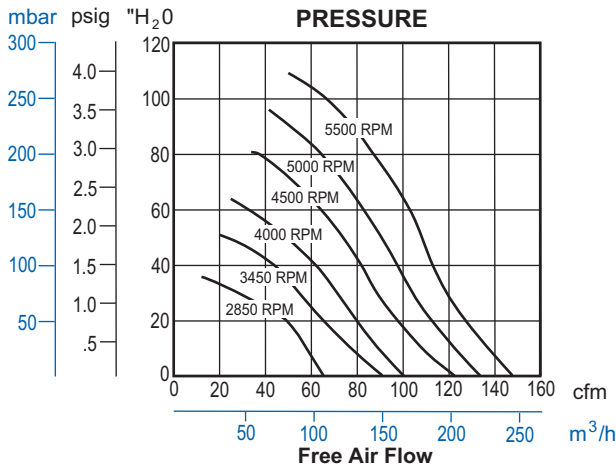
- Pressure gauge AE133
- Inlet filter AJ126D (SDR4)
AJ126F (SDR5 - SDR6)
AJ126G (SDR6P)
- Vacuum gauge AE134
- Vacuum in-line filter AJ151E (SDR4)
AJ151G (SDR5 - SDR6), AJ151H (SDR6P)
- Muffler AJ121D (SDR4, SDR5)
AJ121F (SDR6, SDR6P)
- Relief valve AG258



Product Specifications

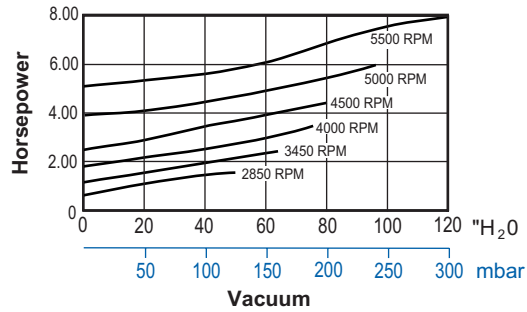
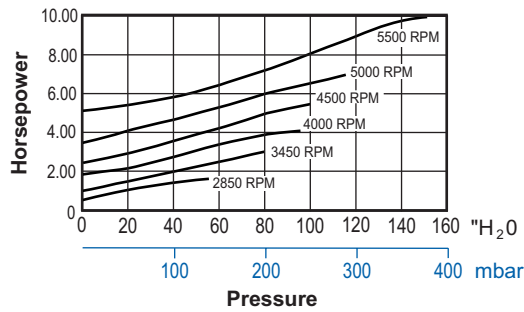
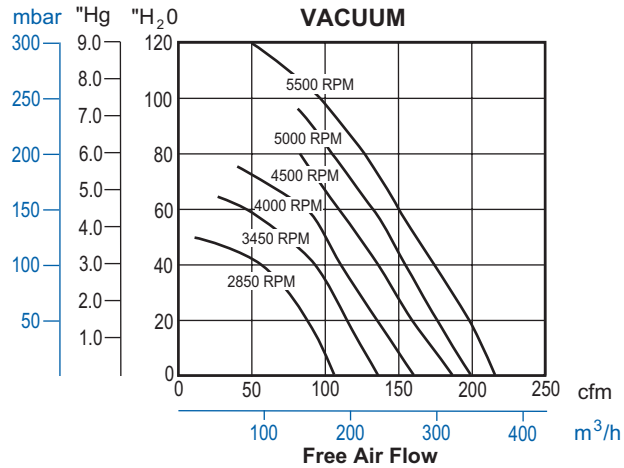
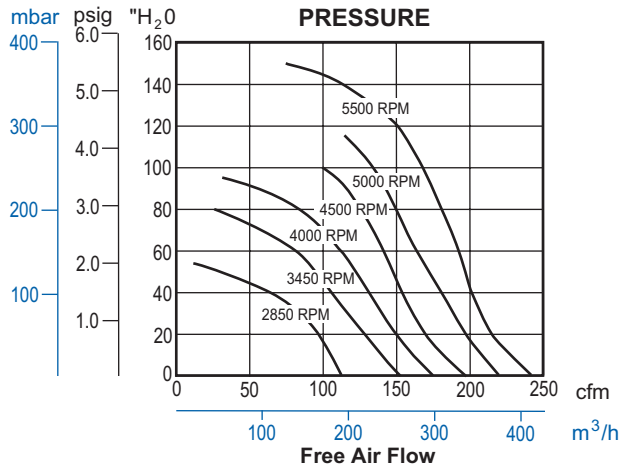
MODEL NUMBER	SDR4	SDR5	SDR6	SDR6P
Maximum RPM	5500	5500	5500	4500
HP/kW required at maximum RPM and Vacuum	3/2,2	8/6	11.5/8,6	10.6/7,9
HP/kW required at maximum RPM and Pressure	4/3	10/7,5	15/11,1	15/11,1
Net Weight (lbs/kg)	27/12	37/17	70/32	111/50

SDR4

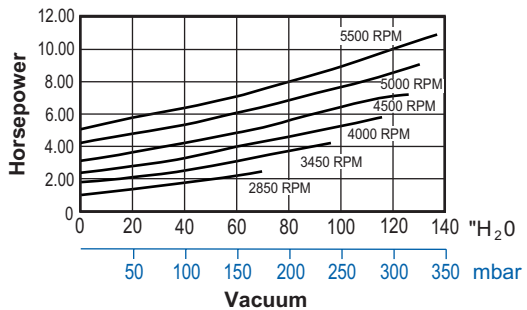
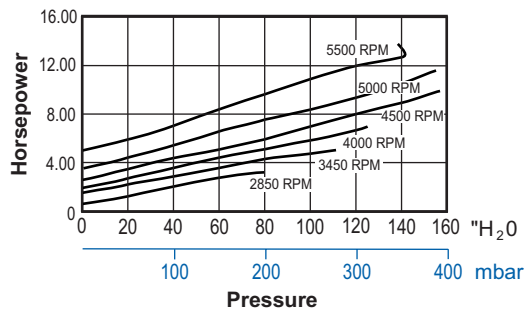
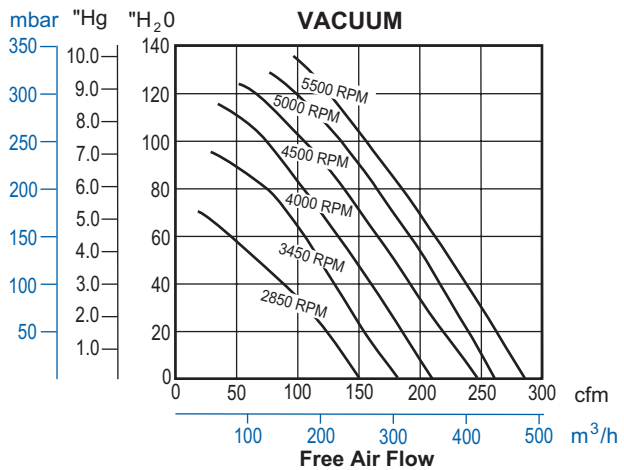
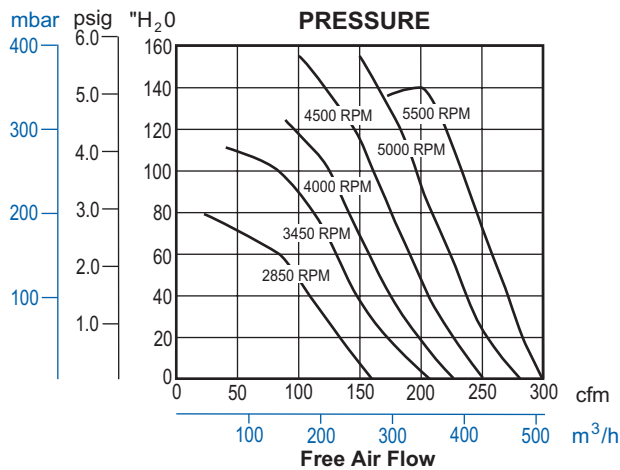




SDR5



SDR6





SDR6P

